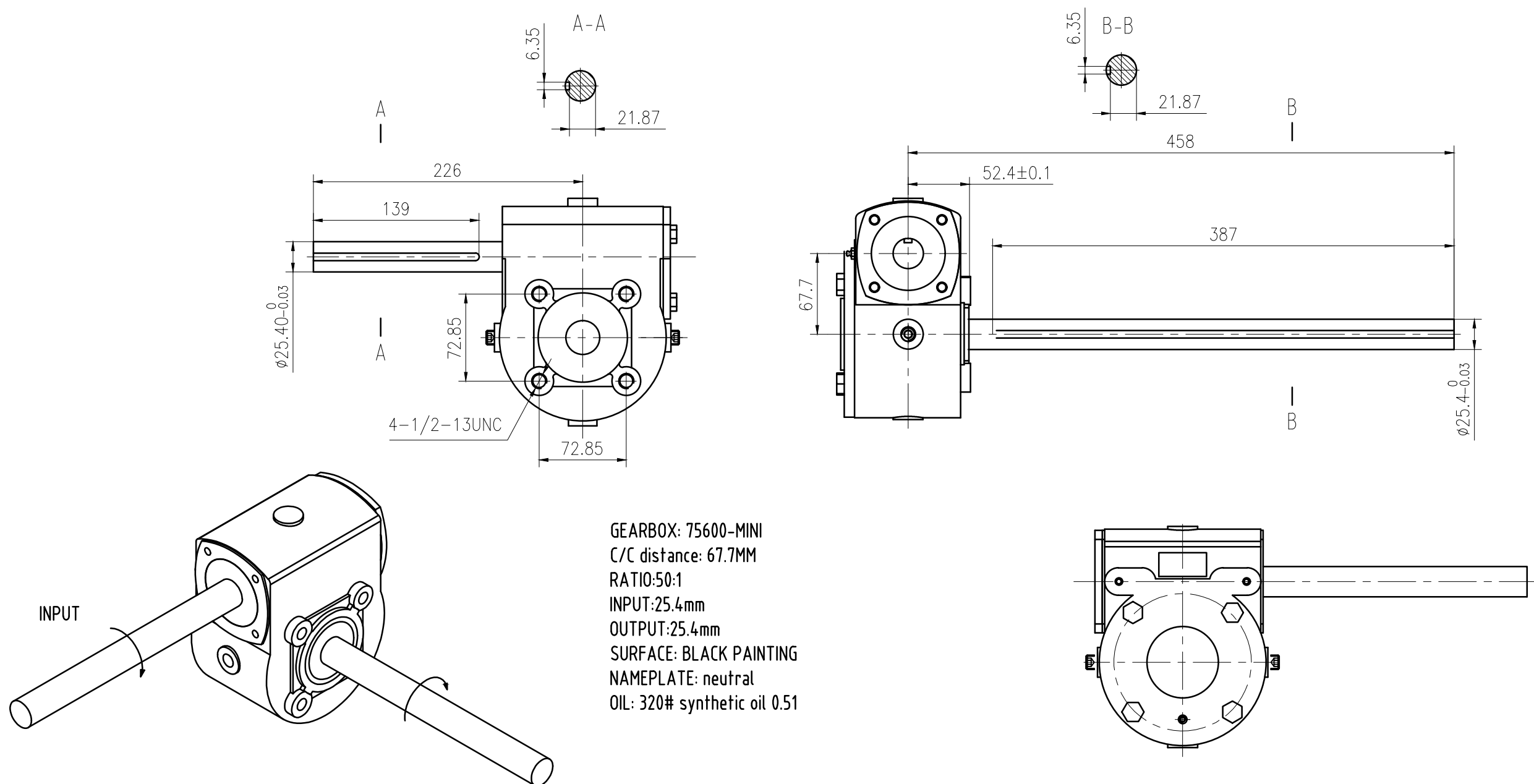


1 2 3 4 5 6 7 8

A
B
C
D
E
F



GEARBOX: 75600-MINI
 C/C distance: 67.7MM
 RATIO:50:1
 INPUT:25.4mm
 OUTPUT:25.4mm
 SURFACE: BLACK PAINTING
 NAMEPLATE: neutral
 OIL: 320# synthetic oil 0.51

				BREAK ALL SHARP EDGES CHAMFERS 0.015" RAD. & FILLET 0.125"	3RD ANG. PROJ	STANDARD TOLERANCES		SECTION: DETAIL		KRAMBLE INDUSTRIES	
						DIMENSION (IN)	TOLERANCE (IN)	SCALE: 1:100		SAND SPREADER MINI GEARBOX	
						XX.XXX	±0.005	DESIGN. BY: A.REID	23NOV20	DRAWING NUMBER	
						XX.XX	±0.020	DRAWN BY: A.REID	23NOV20	75600	
						XX.X	±0.040	APP. BY:		REV.	
						FRAC.: ±1/16	ANGULAR: ±1°			0	
REV.	DESCRIPTION	DATE	BY	THE INFORMATION ON THIS DRAWING IS THE SOLE PROPERTY OF KRAMBLE INDUSTRIES INC. REPRODUCTION IN WHOLE OR IN PART EITHER HARD COPY OR ELECTRONIC IS STRICTLY PROHIBITED WITHOUT OUR WRITTEN CONSENT							
0	ISSUED FOR USE	23NOV20	A.REID								

ALAN REID