

KRAMBLE INDUSTRIES INC.

Remote Control Trailer Chute Opener S5 Installation and Operating Manual



Features

- Simplicity of design and quality of engineering
- User selectable security code
- Power On/Off switch on Receiver
- LED Indicator lights
- 9V Transmitter Battery
- Ease of installation/removal when not in use
- All controls can be by either Manual Switch or Remote Control
- Multiple Transmitters can operate a single Receiver/Drive
- Multiple Receiver/Drives can be operated by a single Transmitter
- Receiver/Drives are “Channel selectable”

Kramble Industries Inc. is not responsible or liable for indirect, special, or consequential damages arising out of or in connection with the use or performance of the product or other damage with respect to any economic loss, loss of property, loss of revenue or profit, or costs of removal, installation, or reinstallation.

Table of Contents

Specifications	1
FCC	3
Industry Canada	3
Installation Instructions	4
Mechanical Installation	4
Limit Sensor	7
Setting the Close and Open Limits	7
Electrical Installation	11
Drive Cabling	11
General Operation	12
Receiver	12
Reversing Open/Close Direction	13
Transmitter	14
Limited Warranty	15

Table of Figures

Figure 1 Drive Installation	4
Figure 2 Drive Installation	5
Figure 3 Drive Installation	5
Figure 4 Drive Installation	6
Figure 5 Drive Installation	6
Figure 6 Trailer Chute Opener Receiver Box	7
Figure 7 Learn/Erase Diagram	13

Kramble Industries Inc. is not responsible or liable for indirect, special, or consequential damages arising out of or in connection with the use or performance of the product or other damage with respect to any economic loss, loss of property, loss of revenue or profit, or costs of removal, installation, or reinstallation.

Specifications

29200 - Transmitter:

Power:	9 Volt DC Battery
Frequency:	916 MHz
Modulation:	FSK
Indicators:	Power/Transmit Red LED
Case Size:	2.6" x 4.1" x .9"
Weight:	.25lb
Range:	300' + (depending on environment)
Antenna:	PCB Tuned
Security Code:	Unique in each Transmitter
Functions:	2 to 9 Button (depending on model)

Receiver:

Power in:	12 VDC
Power out:	12 VDC @ 100 amps max
Standby:	40mA
Power Input:	2/4 ga. 2 conductor wire with plug n'lock connectors
Indicators	Power On Red LED Receive RF Data Yellow LED Channel Active Green LED Chute-at-Limit indicator Green/Yellow LEDs
Options	Multi-Channel Operation (1-3) Main Power On/Off Pushbutton Manual Open/Close Pushbutton Control Programmable Limit Sensor
Antenna	FPC Tuned

Electric Motor Drive:

Electrical	12VDC 1/2HP
Torque	Nominal 62.3lb-ft, Start/Stall: 268lb-ft
Speed	Nominal: 16.6 rpm
Output Shaft	¾" keyed and drilled
Gearbox Reduction	120:1
Duty Cycle	5%
Overall Size	14" x 4" x 4"
Weight	13lbs
Position Sensing	Dual Hall Effect sensors

Think Safety!

Do no install or operate where damage to persons or property may occur

FCC

This equipment has been tested and found to comply with the limits for a Class B digital device, pursuant to part 15 of the FCC Rules. These limits are designed to provide reasonable protection against harmful interference in a residential installation. This equipment generates, uses and can radiate radio frequency energy, and if not installed and used in accordance with the instructions, may cause harmful interference to radio communications. However, there is no guarantee that interference will not occur in a particular installation. If this equipment does cause harmful interference to radio or television reception, which can be determined by turning the equipment OFF and ON, the user is encouraged to try to correct the interference by one or more of the following measures:

- Reorient or relocate the receiving antenna.
- Increase the separation between the equipment and receiver.
- Connect the equipment into an outlet on a circuit different from that to which the receiver is connected.
- Consult the dealer or an experienced radio/TV technician for help.

Industry Canada

This device complies with Industry Canada license exempt RSS standard(s). Operation is subject to the following two conditions: (1) this device may not cause interference, and (2) this device must accept any interference, including interference that may cause undesired operation of the device.

Le présent appareil est conforme aux CNR d'Industrie Canada applicables aux appareils radio exempts de licence. L'exploitation est autorisée aux deux conditions suivantes: (1) l'appareil ne doit pas produire de brouillage, et (2) l'utilisateur de l'appareil doit accepter tout brouillage radioélectrique subi, même si le brouillage est susceptible d'en compromettre le fonctionnement.

Kramble Industries Inc.
20-3924 Brodsky Avenue
Saskatoon, SK S7P0C9
Sales 306-933-2655
sales@kramble.net
Service 306-933-2689
service@kramble.net
www.kramble.net

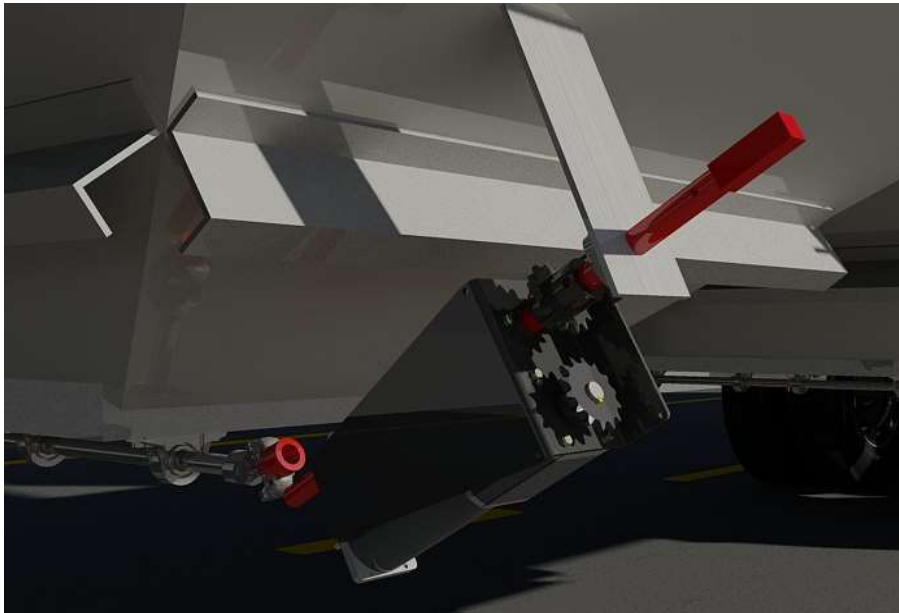
Kramble Industries Inc. is not responsible or liable for indirect, special, or consequential damages arising out of or in connection with the use or performance of the product or other damage with respect to any economic loss, loss of property, loss of revenue or profit, or costs of removal, installation, or reinstallation.

Installation Instructions

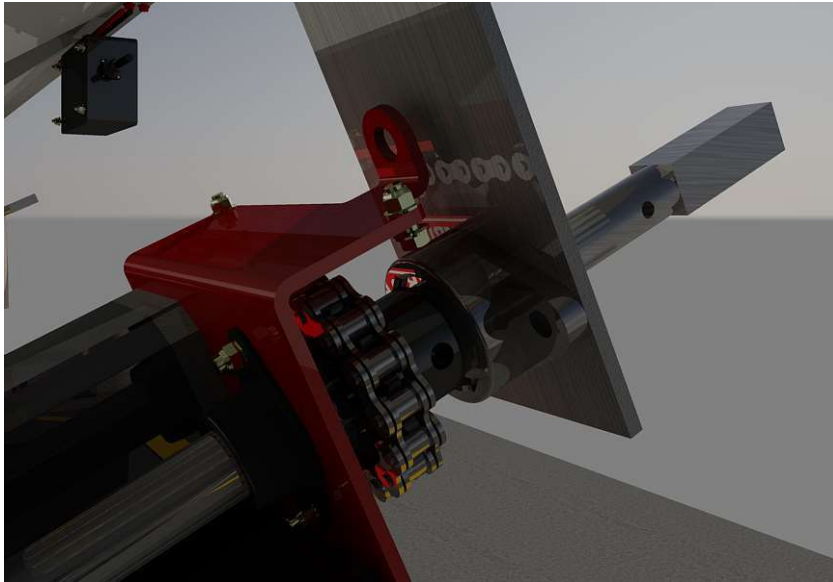
Mechanical Installation

Disconnect the existing handle shaft from the universal joint (shown in red) and clear the shaft of scale and debris to the back of the bearing. Slide the quick release sprocket and drive assembly onto the drive shaft and reconnect the drive shaft into the universal joint and tighten.

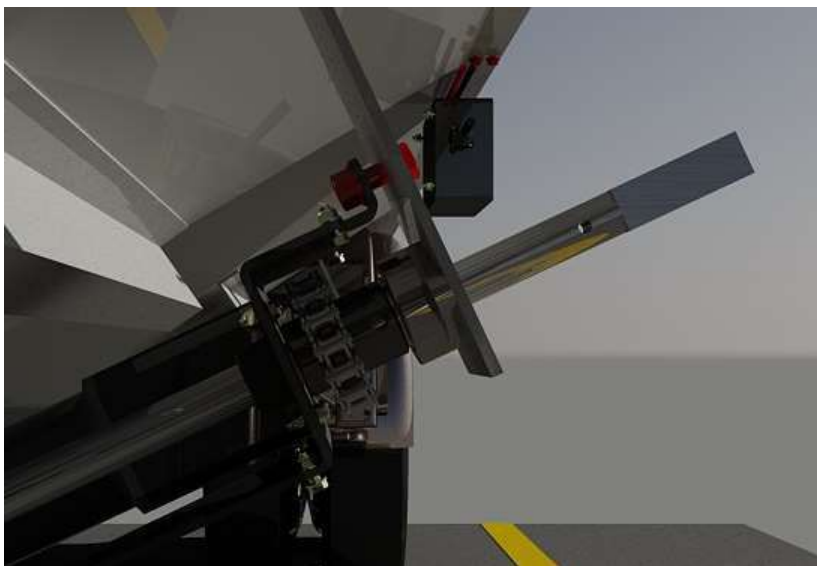
Figure 1



Slide the quick release sprocket and drive assembly up until they are behind the existing drive shaft bearing. Be sure to allow 1/16" between the drive shaft bearing and quick release sprocket and 1/8" between the drive assembly and the quick release sprocket. Rotate the drive assembly counter clockwise 90 degrees and mark the location for the counter rotation hole (See figure 2). Note: Existing locking mechanism may need removing or the drive can be positioned at another angle from 90 degrees if necessary.

Figure 2

Install the counter rotation bolt to secure the drive assembly. Washer spacers can be used to take up any gap between the drive assembly and drive shaft bearing mount plate. The teeth on the quick release sprocket and drive sprocket must be in line with one another (see figure 3). Turn the quick release sprocket so allow drilling through the locking pin hole from both sides. Drill 7/16" diameter hole approximately half the diameter of the drive shaft, then place the retaining pin in the partially drilled hole to prevent the sprocket from turning and drill the drive shaft from the other side. Note: this should keep the hole in line with the sprocket retaining hole.

Figure 3

Kramble Industries Inc. is not responsible or liable for indirect, special, or consequential damages arising out of or in connection with the use or performance of the product or other damage with respect to any economic loss, loss of property, loss of revenue or profit, or costs of removal, installation, or reinstallation.

Figure 4

Install the quick release pin. Note: the hole can be re-aligned with the manual handle. Install the safety chain guard.

Figure 5

Repeat these steps for each drive.

The receiver assembly can be mounted along the aide rail of the trailer between the chutes. The bolt, shown in red, illustrate the intended connection. Follow the Electrical Installation instructions for proper wiring.

Figure 6 Trailer Chute Opener Receiver Box



Limit Sensor

The Trailer Chute Opener Limit Sensor adds greater flexibility to the Trailer Chute Systems by allowing the operator to open and close the chute to any preset limit with confidence. The included drive motor contains built-in Hall Effect sensors that are used to count the rotations and sense the direction of the motor. Once the chute reaches either limit, the corresponding Limit LEDs will illuminate and the chute will stop.

- Avoid powering off the system while it is operating as this may cause the limit sensor to lose count, requiring you to reset the chute limits.

Setting the Close and Open Limits

From the Receiver/Drive keypad with the power “On”.

NOTE: Setting the CLOSE limit will preserve the distance between the open and close limit, while setting the OPEN limit will change its position relative to the CLOSE limit. If you intend to set both limits, set the CLOSE limit first. Only one limit may be set in the same operation sequence.

Kramble Industries Inc. is not responsible or liable for indirect, special, or consequential damages arising out of or in connection with the use or performance of the product or other damage with respect to any economic loss, loss of property, loss of revenue or profit, or costs of removal, installation, or reinstallation.



Press and release the SET LIMIT button. The Set Limit light then turns on.

Step 1: Press and release the SET LIMIT button. The Set Limit Light will then turn on, indicating that the chutes can be moved in either direction to any extent.



Move chute to Closed position

Step 2: Use the chute's OPEN and CLOSE buttons to move the chute to the Closed position. **WARNING:** The chutes will not automatically stop at their mechanical limits in this mode. Exercise caution to avoid damaging the chutes.



1. Hold SET LIMIT button

2. Press CLOSE button

3. Release both

Step 3: When the chute is positioned at the desired close limit, press and hold the SET LIMIT button. While holding the SET LIMIT Button, press and release the chute's CLOSE button. Release the SET LIMIT button.

Kramble Industries Inc. is not responsible or liable for indirect, special, or consequential damages arising out of or in connection with the use or performance of the product or other damage with respect to any economic loss, loss of property, loss of revenue or profit, or costs of removal, installation, or reinstallation.



Close light blinks, indicating limit has been set

Opener goes back to normal operation

Step 4: The Close Limit Lights will flash for a few seconds, indicating that the limit has been set. The Set Limit Light will turn off and the opener will return to normal operation.



Press and Release the SET LIMIT button. The Set Limit light then turns on.

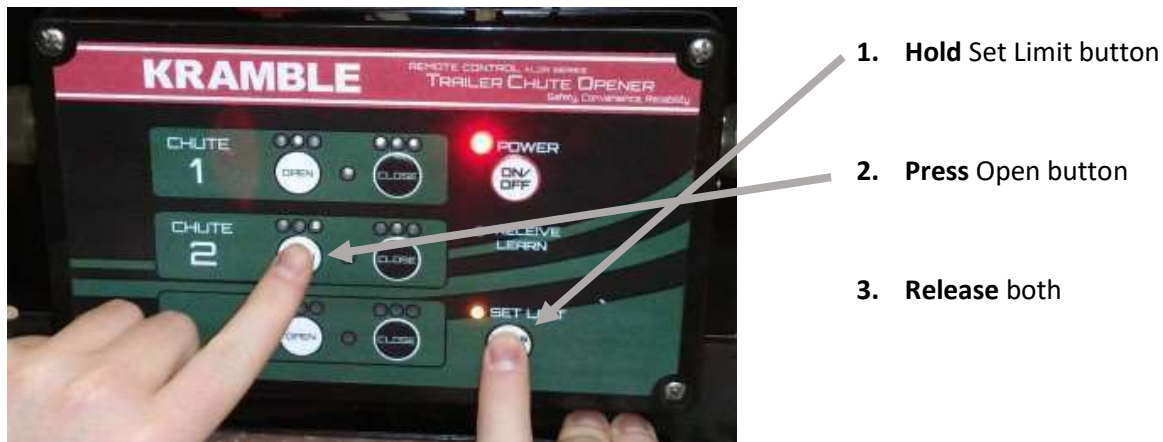
Step 5: To set the open limit, press the SET LIMIT button and release it. The Set Limit Light will be on, indicating that the chutes can be moved in either direction to any extent.



Move chute to desired Opened position

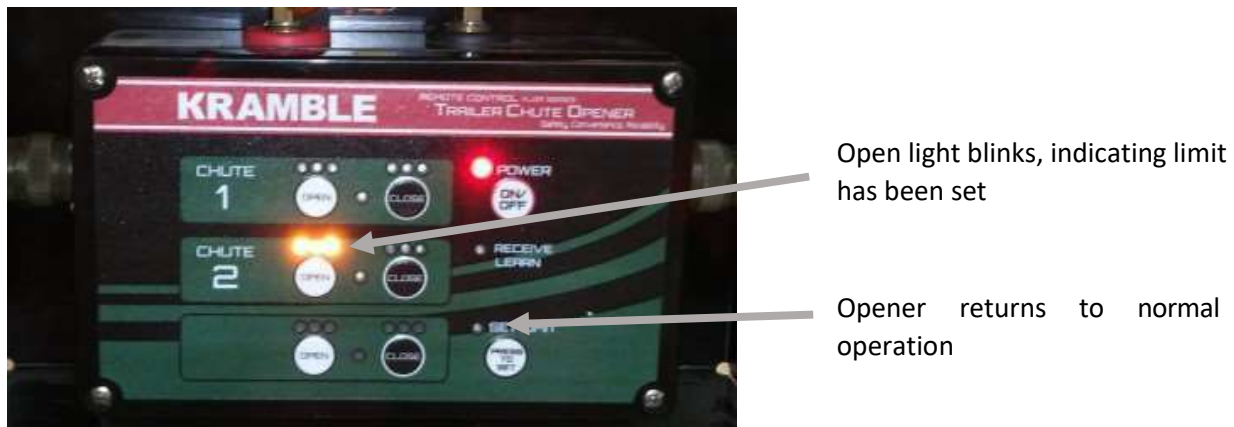
Step 6: Use the chute's OPEN and CLOSE buttons to move the chute to the desired Opened position. **WARNING:** The chutes will not automatically stop at their mechanical limits in this mode. Exercise caution to avoid damaging the chutes.

Kramble Industries Inc. is not responsible or liable for indirect, special, or consequential damages arising out of or in connection with the use or performance of the product or other damage with respect to any economic loss, loss of property, loss of revenue or profit, or costs of removal, installation, or reinstallation.



1. Hold Set Limit button
2. Press Open button
3. Release both

Step 7: When the chute is positioned at the desired open limit, press and hold the SET LIMIT button. While holding the SET LIMIT Button, press and release the chute's OPEN button. Release the SET LIMIT button.



Open light blinks, indicating limit has been set

Opener returns to normal operation

Step 8: The Open Limit Lights will flash for a few seconds, indicating that the limit has been set. The Set Limit Light will turn off and the opener will return to normal operation.

After setting the limits, be sure to test the limits by cycling the chute back and forth, making sure it automatically stops at the desired positions.

To set only the close limit, perform steps 1-4 above. Note that when the closed limit is moved, the open limit moves along with it, preserving the distance between the limits.

To set only the open limit, perform steps 5-8 above. Note that setting only the opened limit will not affect the position of the closed limit.

To disable limit sensing for a chute, set its Open and Close limits to the same position (i.e. Set close limit, then set open limit without moving). Disabled limit sensing is indicated by the Open and Close limit LEDs alternately flashing while the chute is operating.

Electrical Installation

The Trailer Chute Opener is provided with pre-wired connectors. The polarity must be as follows: **+12V on the RED STRIPE wire**. A supplied 80A circuit protector is to be installed on the tractor battery to protect against a wiring “short”.



The Wiring Harness is supplied with disconnects at the Tractor/Trailer hitch and at each Receiver/Drive. Once the cables are routed, connect the Receiver/Drives to the harness and connect the Trailer Cable to the Tractor Power Cable. Be sure to leave enough slack between the trailer and truck to allow for articulating. When the Power On/Off button on the Receiver/Drive is pressed the Red LED indicator will illuminate indicating normal operation.



WARNING: Do not attempt to power the console or drive from a battery charger alone as damage may occur. Connect to a properly maintained battery system only.

Drive Cabling

The Trailer Chute System is supplied with 4 gauge power cables and Heavy-Duty Twist-Lock Connectors for “plug-and play” installation.

CAUTION: The 40Amp Circuit Fuse Assembly provided MUST BE connected directly to the +12VDC Terminal of the battery to protect against an electrical short in the wiring.

NOTE: ENSURE CORRECT POLARITY! The RED STRIPE/MARKED wire must be connected to +12 VDC.

Think Safety!

Do no install or operate where damage to persons or property may occur

Kramble Industries Inc. is not responsible or liable for indirect, special, or consequential damages arising out of or in connection with the use or performance of the product or other damage with respect to any economic loss, loss of property, loss of revenue or profit, or costs of removal, installation, or reinstallation.

General Operation

Receiver

The Receiver is equipped with a Power On/Off button on the outside of the case. When the button is pressed, the Red LED will light indicating normal operation. The Trailer Chute Opener may be operated using the manual pushbuttons on the drive case, or by remote control. Press the Power On/Off button again to turn power off.

The Trailer Chute Opener drives can be operated using the Transmitter, or alternatively, by operating the OPEN/CLOSE momentary pushbutton switches on the Receiver. Whenever a Trailer Chute Opener drive is operated, a Green LED indicating output power to that device will be lit. When input is received from the Transmitter, the Yellow Receive LED will light as well.

Diagnostic Indicators:

There are three ways that the Receiver may use to indicate to the operator that a problem has been encountered:

1. **LOW VOLTAGE:** If “low voltage” supply occurs to the drive, the drive will continue to operate but will reduce speed automatically to maintain maximum torque. The Operating chute’s green activity LED will blink slowly (approximately once per second) to indicate this condition. “Low voltage” is defined as less than 10 volts supply. The “blinking” status will remain until the supply voltage returns to proper level or the unit is turned off. Check the battery condition and clean/inspect all electrical connections if this condition arises.
2. **HIGH TEMPERATURE:** If the temperature of the motor controller becomes too high, the green activity LED will flash rapidly (approximately four times per second) to indicate this condition. The high temperature indication will remain and the drive will not operate until the motor controller has cooled. Check to ensure the chute moves freely or otherwise determine the source of the excess load that the drive is working to overcome.
3. **CURRENT OVERLOAD PROTECTION:** If a “current overload” status occurs, the Trailer Chute Opener drives are protected by a 40 Amp auto-resetting thermal breaker (fuse) installed at the tractor battery which disconnects the cabling and drives. This fuse trips with an audible “click” and the drives will not operate until the fuse cools and resets (generally about 15 seconds).

Reversing chute direction

If a chute closes when the OPEN button is pressed and opens when the CLOSE button is pressed, perform the following steps to reverse the chute direction:

1. Turn the receiver power switch OFF.
2. Hold the CLOSE button on the receiver for the chute to be reversed and turn the receiver power ON, and release them when the green activity light for the selected chute flashes. The activity light will flash quickly for two seconds, then more slowly for

Kramble Industries Inc. is not responsible or liable for indirect, special, or consequential damages arising out of or in connection with the use or performance of the product or other damage with respect to any economic loss, loss of property, loss of revenue or profit, or costs of removal, installation, or reinstallation.

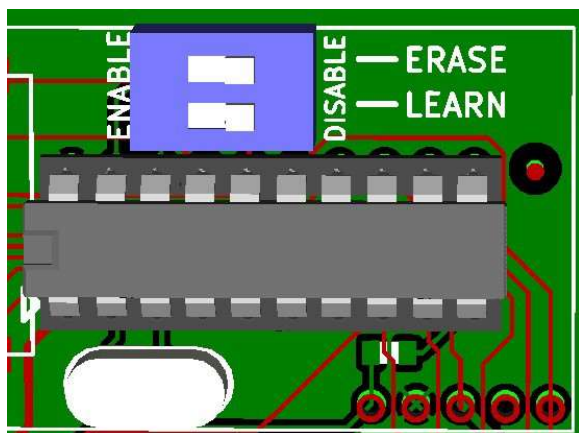
two seconds, then will turn off. This completes the procedure.

3. Repeat the above steps for each additional chute you wish to reverse the direction of.

Matching a Transmitter to a Receiver

The Receiver is matched to a Transmitter by “learning” the transmitter’s unique security code so that the receiver will accept commands from that transmitter. The security code is provided to prevent unwanted operation of the Receiver by other devices. When the transmitter and receiver are matched and the transmitter “talks” to the Receiver, the yellow “RECEIVE” light will come on. A newly-purchased system already has its transmitter matched to the receiver. It is also possible to erase all stored security codes if desired. The Receiver is equipped with a two- position switch to enable or disable the learn and erase functions. To enable or disable a function, open the case and locate the switch as illustrated below. The switches and their positions are labeled on the circuit board. Newly-purchased systems are set by default so that the learn function is enabled and the erase function is disabled.

Figure 7 Learn/Erase Diagram



To match a transmitter to a receiver:

1. Turn the receiver power switch OFF.
2. Hold the Chute 1 OPEN button on the receiver and turn the receiver power ON, then release all buttons. The Receive/LEARN light is then lit to indicate that the receiver is waiting for a signal from the transmitter to be learned.
3. Press the OPEN button on the transmitter for the receiver’s first chute* to send a signal and the receiver will read the transmitter’s security code and store it in memory. The Receive/LEARN light will flash three times to indicate that the transmitter has been successfully learned, and the receiver will then enter normal operating mode.
 - * In almost all cases this is the channel 1 OPEN button. However, if you are using two dual-chute systems operated from the same remote control, then the receiver controlling chutes 1 and 2 will need to be matched by pressing the chute 1 open button and the receiver controlling chutes 3 and 4 will need to be matched by pressing the chute 3 open button.

Kramble Industries Inc. is not responsible or liable for indirect, special, or consequential damages arising out of or in connection with the use or performance of the product or other damage with respect to any economic loss, loss of property, loss of revenue or profit, or costs of removal, installation, or reinstallation.

Up to eight transmitters can be learned by a receiver. If eight transmitters have already been learned by a receiver and it is instructed to learn another transmitter, the oldest-learned transmitter's security code will be overwritten and forgotten.

To erase all stored security codes, turn the receiver power ON while holding the LEARN button, and continue holding the button until the Receive/LEARN light begins to rapidly flash. Release the button, and the light will flash more slowly for three seconds, then turn off to indicate that the erase operation has succeeded. If the LEARN button is pressed while the Receive/LEARN light is slowly flashing, the erase operation is aborted and the receiver retains the stored transmitter security codes.

A Trailer Chute Opener system may have up to two receivers; therefore, multi-drive systems must have each receiver matched to the same transmitter to be operated by that same transmitter.

The Trailer Chute Opener has one automatically resetting fuse, intended to protect the RF receiver and data circuitry, this fuse will automatically reset when cooled.

The Receiver power should be turned Off when not in use to prevent undesired operation.

Transmitter

The Transmitter is powered by a 9V battery and features a red Power indicator LED that illuminates when the OFF/STANDBY switch is in the STANDBY position and a function switch is pressed. If the battery does not exceed 7 volts the Power LED will not light, indicating battery replacement is required.

Each transmitter contains a unique identifying security code that is transmitted to the receiver during RF operation. Up to eight Transmitters can communicate with the same Receiver as long as the receiver has learned the transmitters' security codes.

The OFF/STANDBY switch must be in the STANDBY position before the Transmitter can be used. If the switch is left in the OFF position, the Transmitter will not transmit when a channel function button is pressed. To control the Receiver, slide the OFF/STANDBY switch to STANDBY, then press the desired channel function buttons. Slide the switch to OFF when no control is desired.

Limited Warranty

Customer satisfaction is a fundamental policy at Kramble Industries Inc. All customers can rely upon and expect to receive prompt, efficient and courteous service on all Kramble Industries Inc. manufactured equipment from each and every employee of the organization.

Kramble Industries Inc. with its office at 20-3924 Brodsky Avenue, Saskatoon, SK warrants:

To the Original Purchaser/User, each product manufactured by Kramble Industries Inc. to be free from defective material and workmanship, under normal use and service, for a period of 12 months subject to conditions outlined below. The obligation under this warranty is limited to repair, or replacement with a similar genuine company part, for any part of the product of the company's manufacture that is found to be defective.

Warranty period begins the day of purchase. During the first (1st) through the twelfth (12th) month, Kramble will furnish without charge, F.O.B. its plant, a similar genuine part to replace any part of a product of the company's manufacture which proves to be defective, in normal use and service, during this time. Labor to install or repair such parts will be absorbed by Kramble Industries Inc. If this work is to be done other than Kramble personnel, prior approval must be given by Kramble Industries Inc. as to rate and time.

This warranty shall bind the company only as follows:

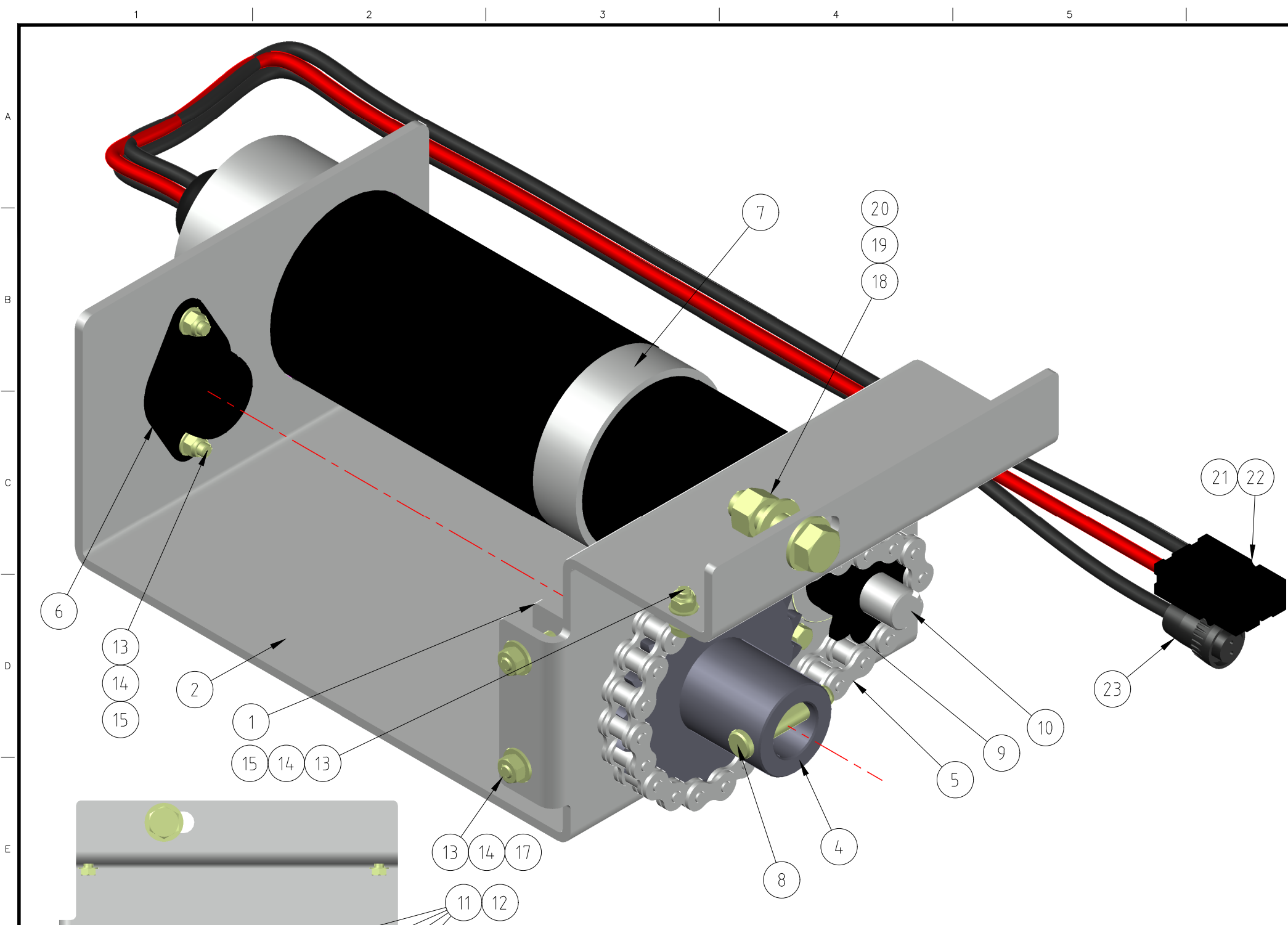
The warranty shall be limited to the repair or replacement of defective parts, all other damage, loss, cost or obligation and claim whatsoever, statutory or otherwise, are hereby waived by the original purchaser/user, and again, the warranty hereby given covers only those labor charges specifically authorized by the company in advance.

- The warranty shall not apply to any failure, or damage incurred through neglect, lack of maintenance, misuse, abuse, accident, improper installation, re-designing of assemblies, ignorance, or through any other cause beyond the control of the company.
- The warranty does not cover products of other manufacturers beyond such warranty as may be made by such manufacturer.
- The warranty shall not apply to normal maintenance services, or to deterioration of appearance of items due to normal use and exposure.
- The warranty shall not apply when the original purchaser/user has allowed repair and/or service work to be conducted on the product without authorization from the company.

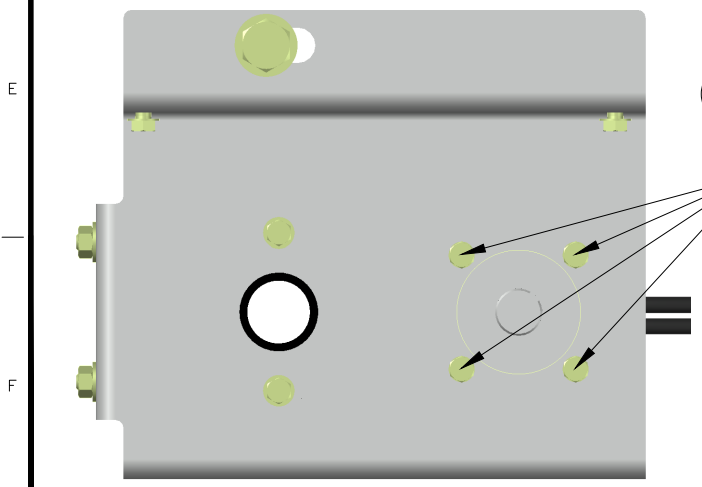
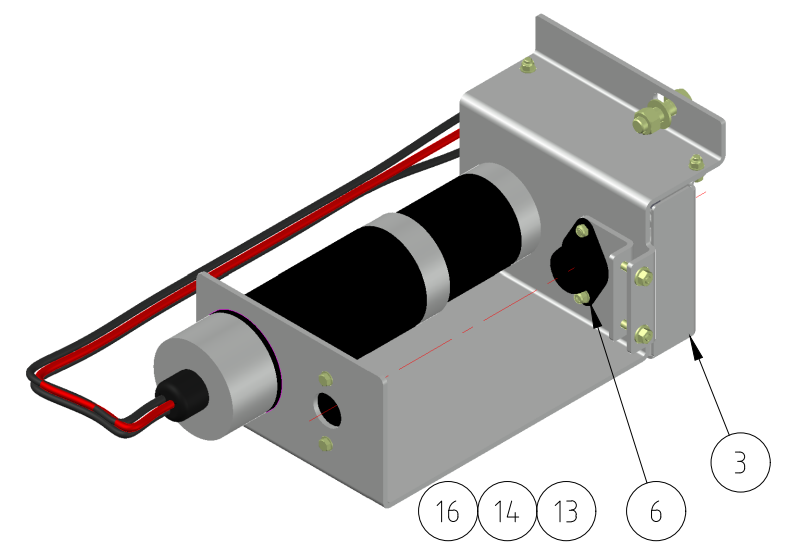
IMPORTANT NOTE:

Before any warranty work is done, contact Kramble Industries Inc. for authorization. Failure to do so may result in denial of warranty.

Kramble Industries Inc. is not responsible or liable for indirect, special, or consequential damages arising out of or in connection with the use or performance of the product or other damage with respect to any economic loss, loss of property, loss of revenue or profit, or costs of removal, installation, or reinstallation.



ITEM	DESCRIPTION	PART NO	QTY
1	CHAIN TENSIONER	20-TCO-302	1
2	DRIVE CHASSIS	20-TCO-300	1
3	CHAIN GUARD	20-TCO-301	1
4	QUICK RELEASE SPROCKET 20T	20-TCO-304	1
5	Chain, #50 SS Connector Link	90405	1
6	Bearing, 1" Self Aligning PTFE	90403	2
7	Motor, Planetary 1:150 12VDC (TCO Series 5)	92612	1
8	Hairpin, 3/8 x 1-3/4 (TCO)	90186	1
9	Sprocket, #50 9 Tooth 3/4" Bore	90370	1
10	Chain, #50 SS x 25 links (TCO S5 2:1 DRIVE)	90410	1
11	Bolt, 5/16-18 x 3/4 NC HEX HEAD CAP SCREW FULL THREAD	90170	4
12	Washer, 5/16" Flat SAE	90237	4
13	Washer, 1/4" Flat SAE	90234	16
14	Nut, 1/4-20 NC Nylon Insert Lock Nut Grade 2 YZ	90409	8
15	Bolt, 1/4-20 x 3/4 UNC HEX Head Cap Full Thread Grade 5 YZ	90456	4
16	Bolt, 1/4-20 x 1" UNC HEX Head Cap - Full Thread Grade 5 YZ	90569	2
17	Bolt, 1/4-20 x 1-3/4" UNC HEX Head Tap Grade 5	92658	2
18	Bolt, 1/2-13 x 1-1/2" UNC Hex Head GR5	90489	1
19	Washer, 1/2" Flat SAE	90511	2
20	Nut, 1/2-13 UNC Hex	90512	1
21	Conn, Anderson Hg Pole BLK 75A	90381	2
22	Conn, #6 Pole Crimp Terminal	90378	2
23	Conn, 2 Pin Cable w strain relief	90129	1



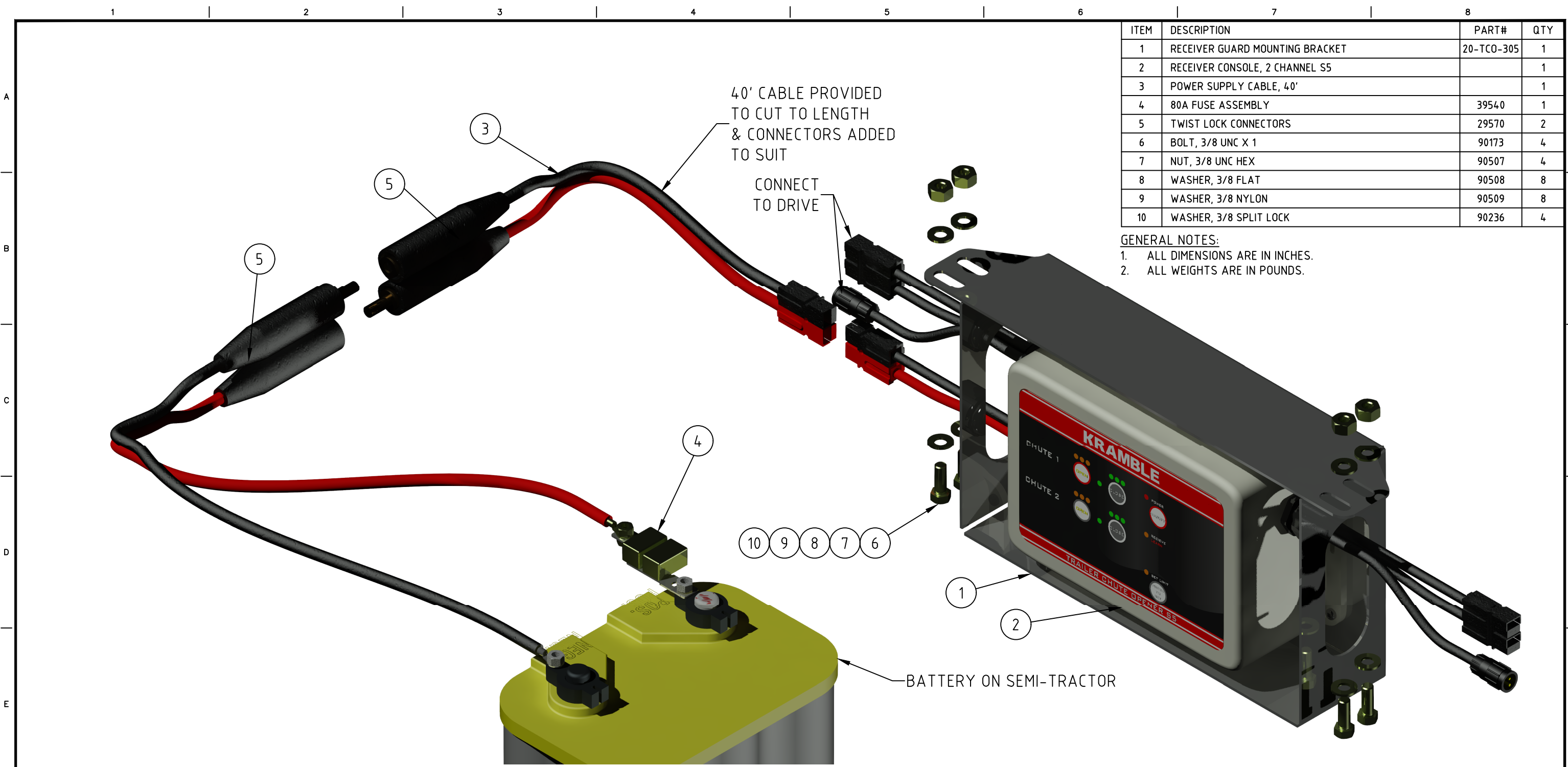
REV.	DESCRIPTION	DATE	BY
0	ISSUED FOR USE	22JAN21	A.REID

BREAK ALL SHARP EDGES
 CHAMFERS 0.015" RAD. & FILLET 0.125"
 3RD ANG. PROJ
 THE INFORMATION ON THIS DRAWING IS THE SOLE PROPERTY OF KRAMBLE INDUSTRIES INC. REPRODUCTION IN WHOLE OR IN PART EITHER HARD COPY OR ELECTRONIC IS STRICTLY PROHIBITED WITHOUT OUR WRITTEN CONSENT

STANDARD TOLERANCES		SECTION: ASSEMBLY	
DIMENSION (IN)	TOLERANCE (IN)	SCALE:	3/8"=1"
XX.XXX	±0.005	DESIGN BY:	A.REID 22JAN21
XX.XX	±0.020	DRAWN BY:	A.REID 22JAN21
XX.X	±0.040	APP. BY:	
FRAC.: ±1/16	ANGULAR: ±1°		

KRAMBLE INDUSTRIES	
TRAILER CHUTE OPENER SERIES V DRIVE ASSEMBLY	
DRAWING NUMBER	REV.
20-TCO-100	0

ALAN REID



ITEM	DESCRIPTION	PART#	QTY
1	RECEIVER GUARD MOUNTING BRACKET	20-TCO-305	1
2	RECEIVER CONSOLE, 2 CHANNEL S5		1
3	POWER SUPPLY CABLE, 40'		1
4	80A FUSE ASSEMBLY	39540	1
5	TWIST LOCK CONNECTORS	29570	2
6	BOLT, 3/8 UNC X 1	90173	4
7	NUT, 3/8 UNC HEX	90507	4
8	WASHER, 3/8 FLAT	90508	8
9	WASHER, 3/8 NYLON	90509	8
10	WASHER, 3/8 SPLIT LOCK	90236	4

GENERAL NOTES:
 1. ALL DIMENSIONS ARE IN INCHES.
 2. ALL WEIGHTS ARE IN POUNDS.

REV.	DESCRIPTION	DATE	BY
2	UPDATED TO S5 2026 VERSION	26FEB26	A.REID
1	REVERSED WELDING CONNECTORS	23JUL25	A.REID
0	ISSUED FOR USE	19FEB21	A.REID

BREAK ALL SHARP EDGES
 CHAMFERS 0.015" RAD. & FILLET 0.125"
 3RD ANG. PROJ
 THE INFORMATION ON THIS DRAWING IS THE SOLE PROPERTY OF KRAMBLE INDUSTRIES INC. REPRODUCTION IN WHOLE OR IN PART EITHER HARD COPY OR ELECTRONIC IS STRICTLY PROHIBITED WITHOUT OUR WRITTEN CONSENT

STANDARD TOLERANCES		SECTION: ASSEMBLY	
DIMENSION (IN)	TOLERANCE (IN)	SCALE:	NTS
XX.XXX	±0.005	DESIGN. BY: A.REID	19FEB21
XX.XX	±0.020	DRAWN BY: A.REID	19FEB21
XX.X	±0.040	APP. BY:	
FRAC.: ±1/16	ANGULAR: ±1°		

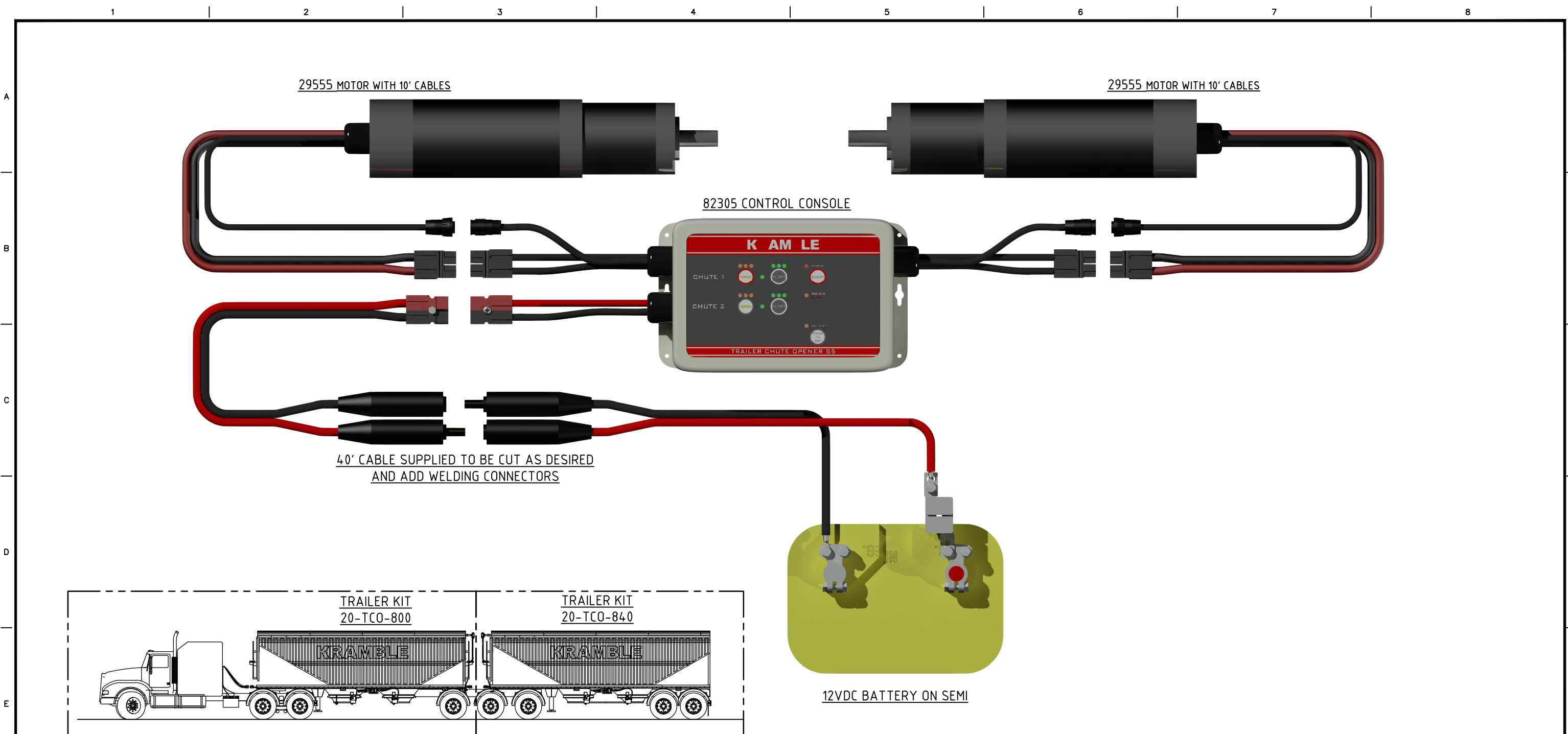
KRAMBLE INDUSTRIES

**TRAILER CHUTE OPENER S5
2 CHANNEL RECEIVER KIT**

DRAWING NUMBER	REV.
20-TCO-110	2

ALAN REID

3/5/2026 2:04:33 PM



LEGEND

REV.	DESCRIPTION	DATE	BY
1	CORRECTED MOTOR WIRE CONNECTIONS	07APR26	A.REID
0	ISSUED FOR USE	19AUG25	A.REID

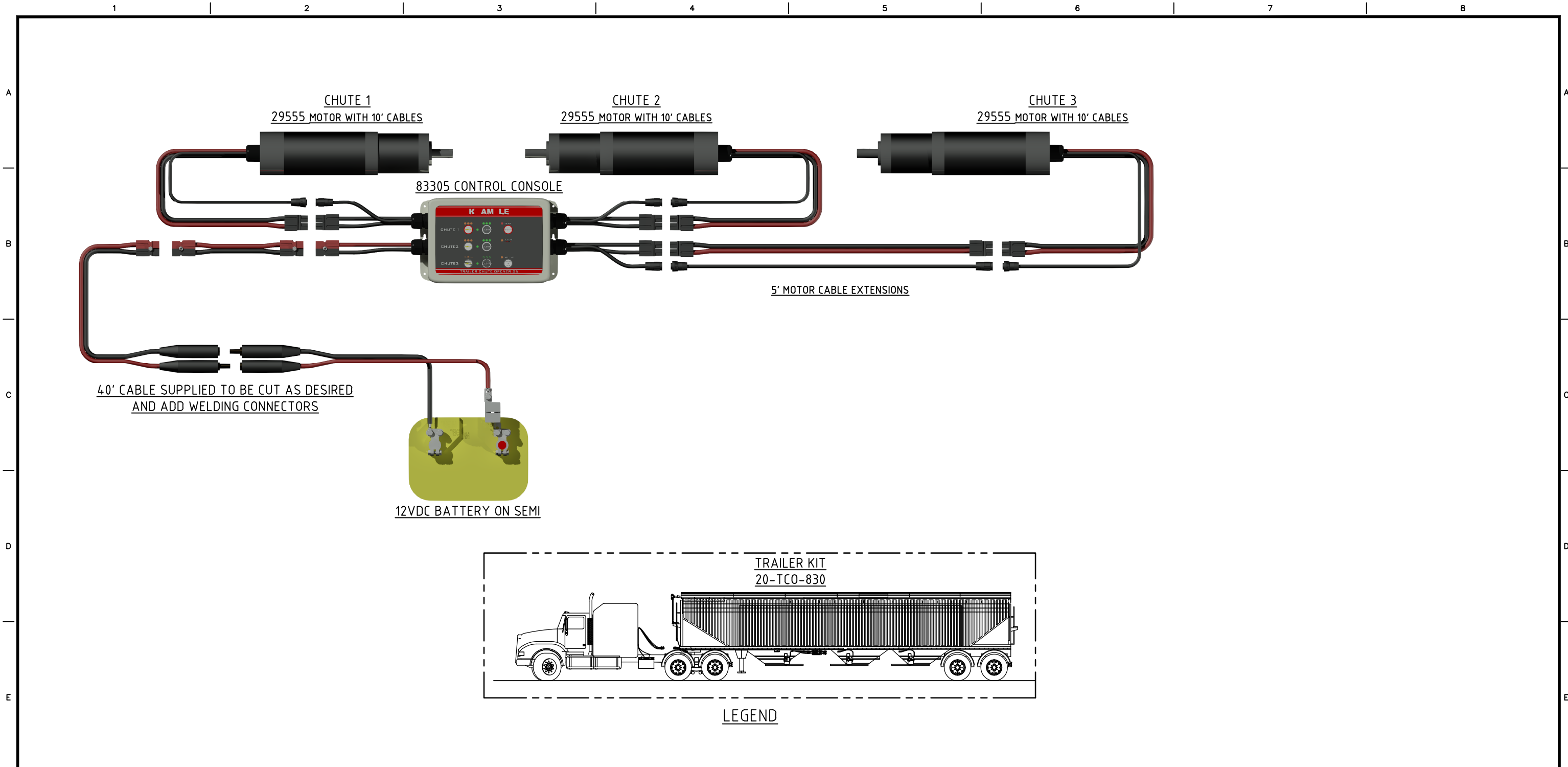
BREAK ALL SHARP EDGES
CHAMFERS 0.015"
RAD. & FILLET 0.125"

3RD ANG. PROJ

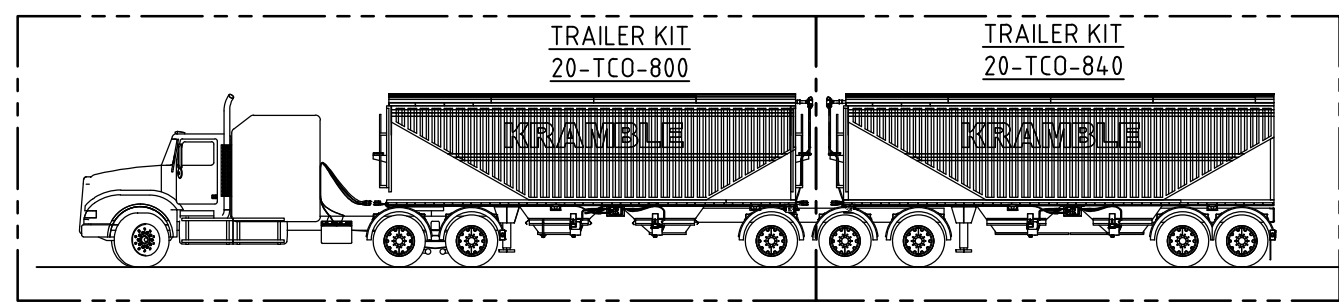
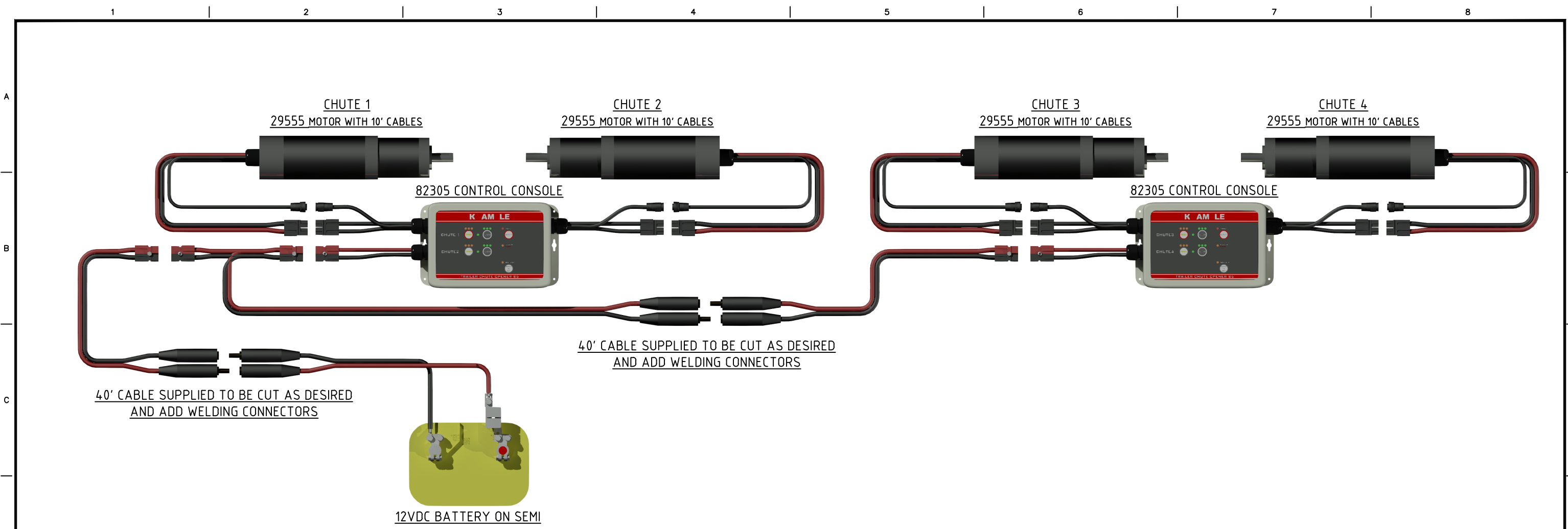
THE INFORMATION ON THIS DRAWING IS THE SOLE PROPERTY OF KRAMBLE INDUSTRIES INC. REPRODUCTION IN WHOLE OR IN PART EITHER HARD COPY OR ELECTRONIC IS STRICTLY PROHIBITED WITHOUT OUR WRITTEN CONSENT

STANDARD TOLERANCES		SECTION: ASSEMBLY	
DIMENSION (IN)	TOLERANCE (IN)	SCALE: N.T.S.	
XX.XXX	±0.005	DESIGN BY: A.REID	19AUG25
XX.XX	±0.020	DRAWN BY: A.REID	19AUG25
XX.X	±0.040	APP. BY:	
FRAC.: ±1/16	ANGULAR: ±1°		

KRAMBLE INDUSTRIES	
TRAILER CHUTE OPENER CABLE ASSEMBLY	
DRAWING NUMBER	REV.
20-TCO-800	1

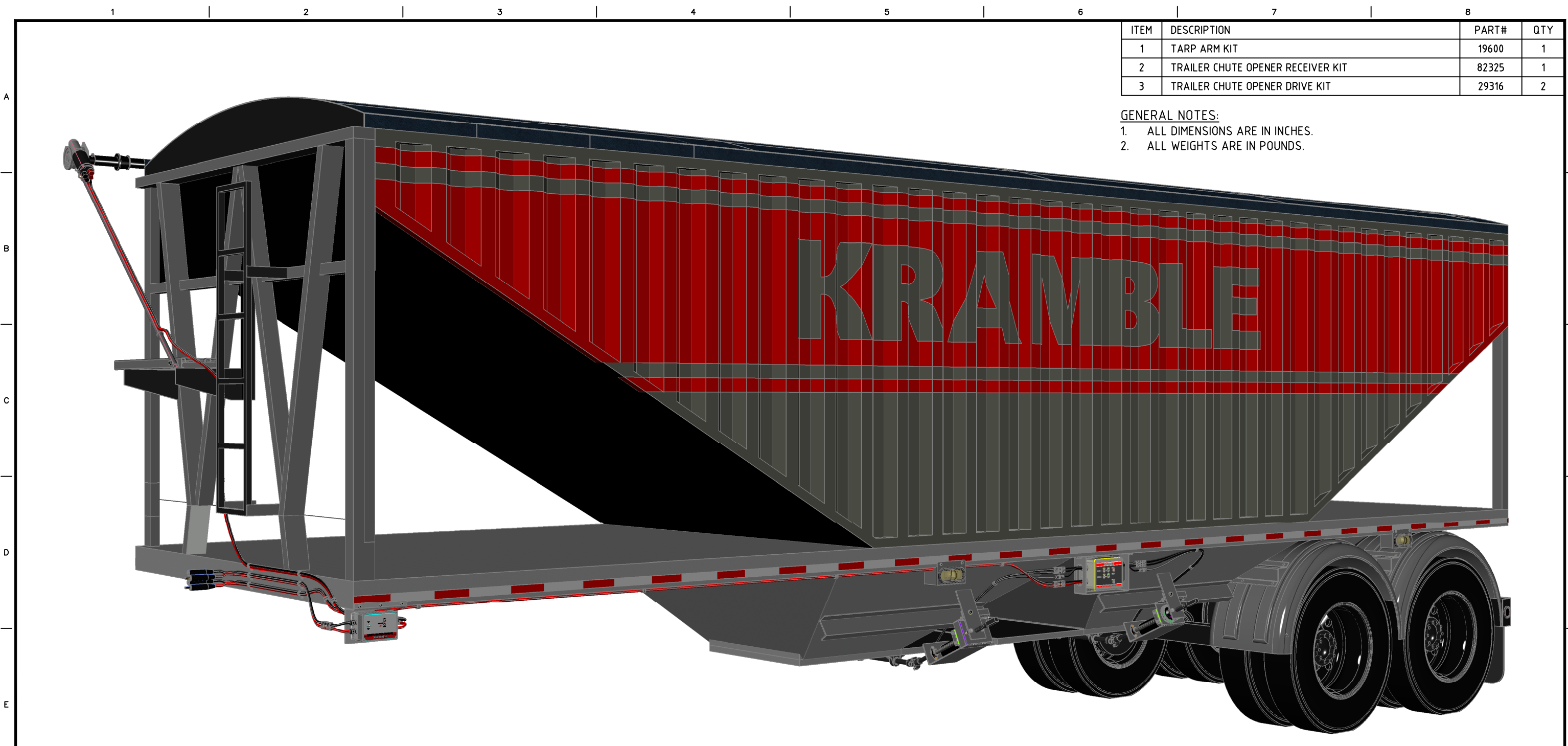


				BREAK ALL SHARP EDGES CHAMFERS 0.015" RAD. & FILLET 0.125"	3RD ANG. PROJ	STANDARD TOLERANCES		SECTION: ASSEMBLY		KRAMBLE INDUSTRIES	
						DIMENSION (IN)	TOLERANCE (IN)	SCALE: N.T.S.		TRAILER CHUTE OPENER TRIPLE CABLE ASSEMBLY	
						XX.XXX	±0.005	DESIGN. BY: A.REID	07APR26		
						XX.XX	±0.020	DRAWN BY: A.REID	07APR26		
						XX.X	±0.040	APP. BY:			
0	ISSUED FOR USE	07APR26	A.REID	THE INFORMATION ON THIS DRAWING IS THE SOLE PROPERTY OF KRAMBLE INDUSTRIES INC. REPRODUCTION IN WHOLE OR IN PART EITHER HARD COPY OR ELECTRONIC IS STRICTLY PROHIBITED WITHOUT OUR WRITTEN CONSENT		FRAC.: ±1/16	ANGULAR: ±1°			DRAWING NUMBER	REV.
REV.	DESCRIPTION	DATE	BY							20-TCO-830	0



LEGEND

				BREAK ALL SHARP EDGES CHAMFERS 0.015" RAD. & FILLET 0.125"	3RD ANG. PROJ 	STANDARD TOLERANCES		SECTION: ASSEMBLY		KRAMBLE INDUSTRIES			
				THE INFORMATION ON THIS DRAWING IS THE SOLE PROPERTY OF KRAMBLE INDUSTRIES INC. REPRODUCTION IN WHOLE OR IN PART EITHER HARD COPY OR ELECTRONIC IS STRICTLY PROHIBITED WITHOUT OUR WRITTEN CONSENT		DIMENSION (IN)	TOLERANCE (IN)	SCALE: N.T.S.		TRAILER CHUTE OPENER SUPER B CABLE ASSEMBLY			
						XX.XXX	±0.005	DESIGN. BY: A.REID					19AUG25
						XX.XX	±0.020	DRAWN BY: A.REID					19AUG25
						XX.X	±0.040	APP. BY:					
REV.	DESCRIPTION	DATE	BY	FRAC.: ±1/16	ANGULAR: ±1°			DRAWING NUMBER		REV.			
								20-TCO-840		1			



ITEM	DESCRIPTION	PART#	QTY
1	TARP ARM KIT	19600	1
2	TRAILER CHUTE OPENER RECEIVER KIT	82325	1
3	TRAILER CHUTE OPENER DRIVE KIT	29316	2

GENERAL NOTES:
 1. ALL DIMENSIONS ARE IN INCHES.
 2. ALL WEIGHTS ARE IN POUNDS.

				BREAK ALL SHARP EDGES CHAMFERS 0.015" RAD. & FILLET 0.125"	3RD ANG. PROJ 	STANDARD TOLERANCES		SECTION: ASSEMBLY		KRAMBLE INDUSTRIES	
				THE INFORMATION ON THIS DRAWING IS THE SOLE PROPERTY OF KRAMBLE INDUSTRIES INC. REPRODUCTION IN WHOLE OR IN PART EITHER HARD COPY OR ELECTRONIC IS STRICTLY PROHIBITED WITHOUT OUR WRITTEN CONSENT		DIMENSION (IN)	TOLERANCE (IN)	SCALE: 1:40		TRAILER CHUTE OPENER 1 & 2 CHUTE FRONT MOUNTED TARP ARM	
						XX.XXX	±0.005	DESIGN BY: A.REID	06MAR26		
						XX.XX	±0.020	DRAWN BY: A.REID	06MAR26		
						XX.X	±0.040	APP. BY: A.REID	06MAR26		
0	ISSUED FOR USE	06MAR26	A.REID			FRAC.: ±1/16	ANGULAR: ±1°	DRAWING NUMBER		REV.	
REV.	DESCRIPTION	DATE	BY					22305-19600		0	

1 | 2 | 3 | 4 | 5 | 6 | 7 | 8

ITEM	DESCRIPTION	PART#	QTY
1			



				BREAK ALL SHARP EDGES CHAMFERS 0.015" RAD. & FILLET 0.125"	3RD ANG. PROJ 	STANDARD TOLERANCES		SECTION: ASSEMBLY		KRAMBLE INDUSTRIES	
				THE INFORMATION ON THIS DRAWING IS THE SOLE PROPERTY OF KRAMBLE INDUSTRIES INC. REPRODUCTION IN WHOLE OR IN PART EITHER HARD COPY OR ELECTRONIC IS STRICTLY PROHIBITED WITHOUT OUR WRITTEN CONSENT		DIMENSION (IN)	TOLERANCE (IN)	SCALE: N.T.S.		TRAILER CHUTE OPENER TRIPLE TCO & TARP ARM	
						XX.XXX	±0.005	DESIGN. BY: A.REID	16MAR26		
						XX.XX	±0.020	DRAWN BY: A.REID	16MAR26		
						XX.X	±0.040	APP. BY: A.REID	16MAR26		
0	ISSUED FOR USE	16MAR26	A.REID			FRAC.: ±1/16	ANGULAR: ±1°	DRAWING NUMBER		REV.	
REV.	DESCRIPTION	DATE	BY					23305-19607		0	

1 | 2 | 3 | 4 | 5 | 6 | 7 | 8

ITEM	DESCRIPTION	PART#	QTY
1			
WEIGHT			10.6

- GENERAL NOTES:**
- ALL DIMENSIONS ARE IN INCHES.
 - ALL WEIGHTS ARE IN POUNDS.
 - ALL COMPONENTS AND WELDMENTS ARE TO BE PAINTED WITH BLACK POWDER COATING.



				BREAK ALL SHARP EDGES CHAMFERS 0.015" RAD. & FILLET 0.125"	3RD ANG. PROJ 	STANDARD TOLERANCES		SECTION: ASSEMBLY		KRAMBLE INDUSTRIES	
				THE INFORMATION ON THIS DRAWING IS THE SOLE PROPERTY OF KRAMBLE INDUSTRIES INC. REPRODUCTION IN WHOLE OR IN PART EITHER HARD COPY OR ELECTRONIC IS STRICTLY PROHIBITED WITHOUT OUR WRITTEN CONSENT		DIMENSION (IN)	TOLERANCE (IN)	SCALE: N.T.S.		TRAILER CHUTE OPENER SUPER B - QUAD SYSTEM	
						XX.XXX	±0.005	DESIGN. BY: A.REID	16MAR26		
						XX.XX	±0.020	DRAWN BY: A.REID	16MAR26		
						XX.X	±0.040	APP. BY: A.REID	16MAR26		
0	ISSUED FOR USE	16MAR26	A.REID			FRAC.: ±1/16	ANGULAR: ±1°	DRAWING NUMBER		REV.	
REV.	DESCRIPTION	DATE	BY					24305-19607		0	