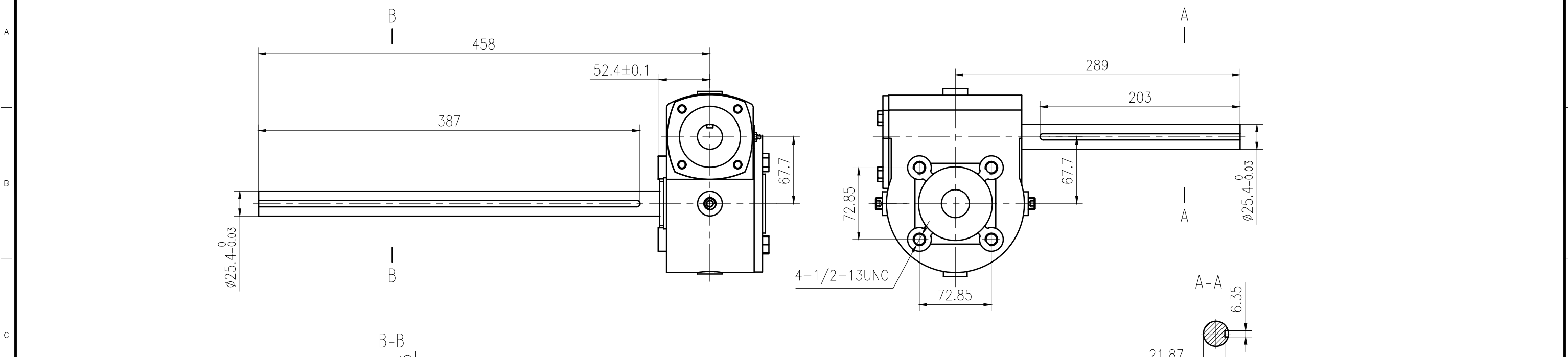
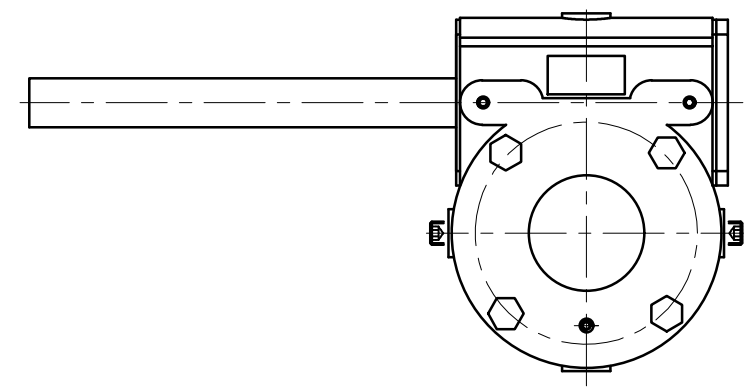
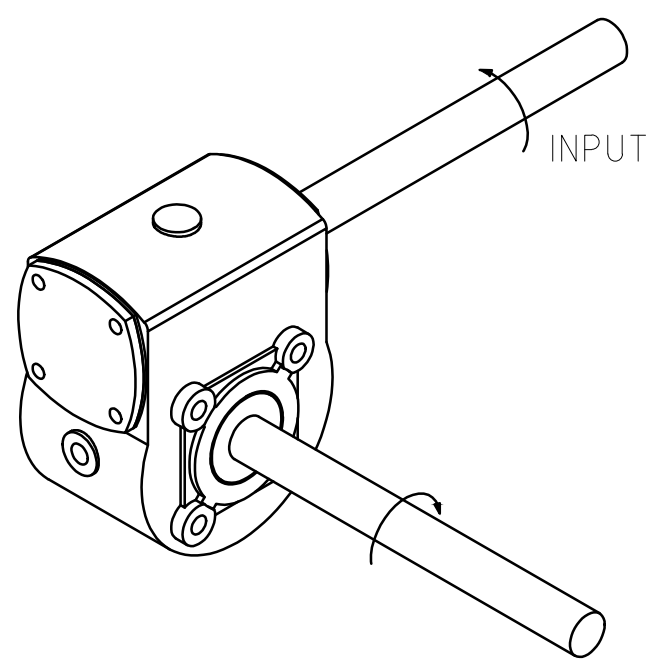
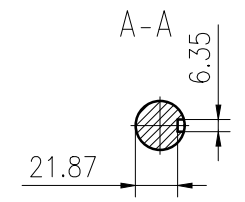
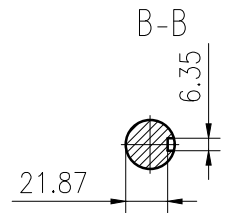


1 2 3 4 5 6 7 8



GEARBOX: 75610-DUAL
 C/C distance: 67.7MM
 RATIO:50:1
 INPUT:25.4mm
 OUTPUT:25.4mm
 SURFACE: BLACK PAINTING
 NAMEPLATE: neutral
 OIL: 320# synthetic 0.51



REV.	DESCRIPTION	DATE	BY
0	ISSUED FOR USE	23NOV20	A.REID

BREAK ALL SHARP EDGES
 CHAMFERS 0.015"
 RAD. & FILLET 0.125"

3RD ANG. PROJ

THE INFORMATION ON THIS DRAWING IS THE SOLE PROPERTY OF KRAMBLE INDUSTRIES INC. REPRODUCTION IN WHOLE OR IN PART EITHER HARD COPY OR ELECTRONIC IS STRICTLY PROHIBITED WITHOUT OUR WRITTEN CONSENT

STANDARD TOLERANCES	
DIMENSION (IN)	TOLERANCE (IN)
XX.XXX	±0.005
XX.XX	±0.020
XX.X	±0.040
FRAC.: ±1/16	ANGULAR: ±1°

SECTION: DETAIL	
SCALE:	1:100
DESIGN BY: A.REID	23NOV20
DRAWN BY: A.REID	23NOV20
APP. BY:	

KRAMBLE INDUSTRIES	
SAND SPREADER DUAL GEARBOX	
DRAWING NUMBER	REV.
75610	0

ALAN REID